

Fabrika
FACTORY HEAD OFFICE -
WAREHOUSE - WORKSHOP
FACTORY Kayseri City, Organize
OSB, NO:21

By EFTCG

NORDIC
C E L I N G

Tube Suspended Ceilings





System Description

Tube system is a visually eye-catching linear ceiling system constructed from extruded tube profiles suspended to a basic hook-on ceiling suspension system. The tube design allows the air circulation in the room through the ceiling void. This is also useful for smoke extraction when this is the case. Tube system is hanged onto the main runner profiles, those are suspended from the soffit at 1200mm centres.

System Features

- Tubes are available in 25mm and 50mm diameter.
- Main runners can be rolled with a radius to get a wave form.
- Available in 3000mm lengths, splicers can be used for longer plans.
- Minimum 25-year product life.

Finish - Yüzey Bitiş

Tube profiles are offered with polyester powder coating process supplied as standard with RAL9010 white color; or also available with wooden finish, or even special anti-bacterial coatings

Grid System - Taşıyıcı Sistem

Galvanized steel Z and L profiles, RAL 9005 black.

Shape - Şekil

Circular extruded aluminium tubes. Can be installed at as requested, standard is 50, 100 or 150mm centres.

Perforation - Perforasyon

n/a

Weight - Ağırlık

Approximately 4.2kg/m² for 25mm diameter installed at 100mm c/c

Approximately 6kg/m² for 50mm diameter installed at 100mm c/c.



Wood Colors



Bamboo Wood Texture



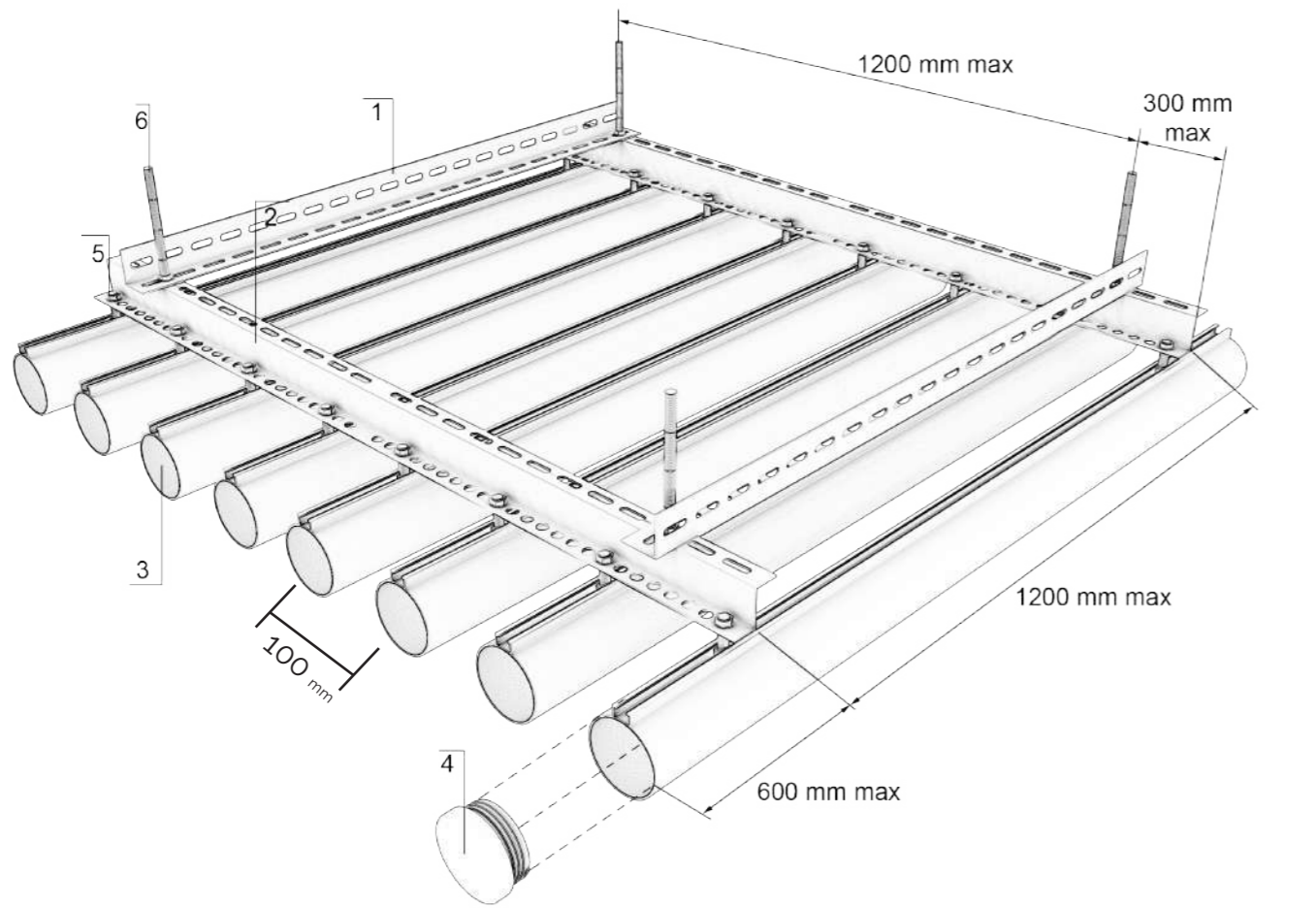
Oak Wood Texture



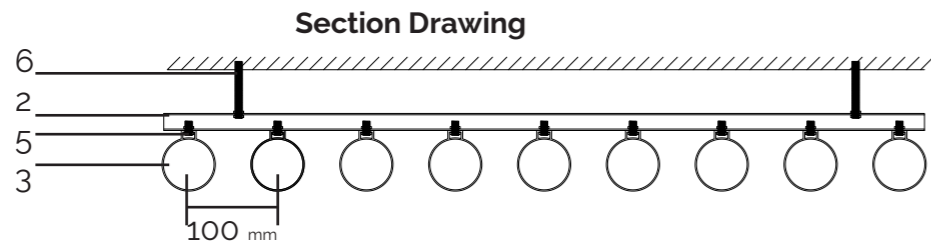
Walnut Wood Texture



Dark Walnut Wood Texture



1- L Profil 2- Z Profil 3- Tube 4- Cap 5- Bolt, Nut, Washer 6- Hanger Rod



Tube System Components	Item Number	Item Description	Length	Tube Distance	Weight (kg)
		Hanger Rod 100cm, M6		all	0,20 kg / pcs
		Fixing Dowel, M6		all	0,05 kg / pcs
		Tube Main Runner Z, (RAL 9005)	3000mm	all	0,76 kg / pcs
		Tube Main Runner L, (RAL 9005)	3000mm	all	0,64 kg / pcs
		Bolt M6x16/Nut M6/Washer M6		all	0,03 kg / pcs
		25mm Ø Tube (RAL 9010)	3000mm	all	0,30 kg / pcs
		50mm Ø Tube (RAL 9010)	3000mm	all	0,60 kg / pcs
		25mm Ø Tube Splice		all	0,03 kg / pcs
		50mm Ø Tube Splice		all	0,06 kg / pcs
		25mm Ø End Cap (RAL 9010)		all	0,005 kg / pcs
		50mm Ø End Cap (RAL 9010)		all	0,01 kg / pcs